

▶▶ SUN2000-330KTL-H1 Smart String Inverter

For APAC, LATAM & EUROPE



Max. Efficiency
≥ 99.0%



Smart Connector-level Detection (SCLD)



Smart Self-cleaning Fan (SSCF)



IP66 Protection



MBUS Supported



Smart String-level Disconnection (SSLD)

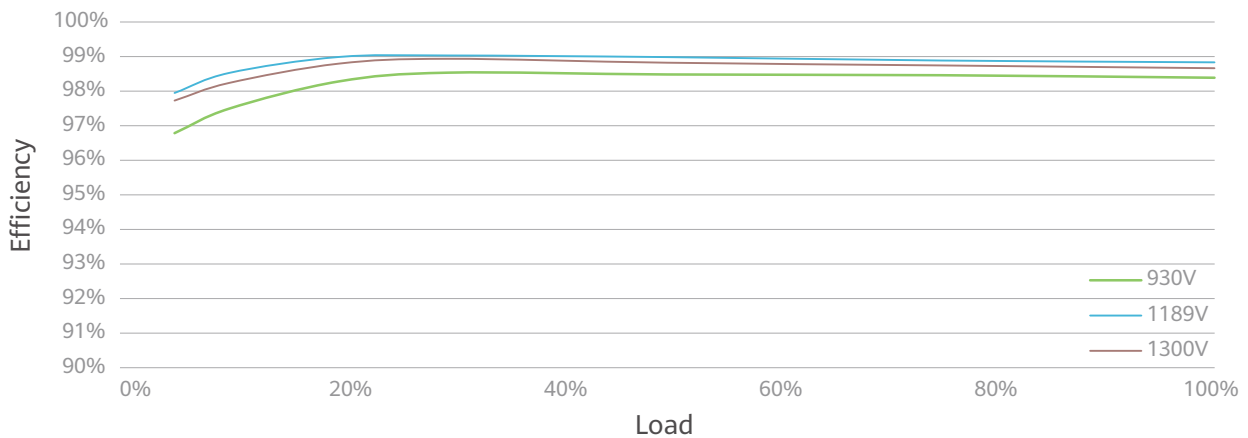


Smart IV Curve Diagnosis Supported

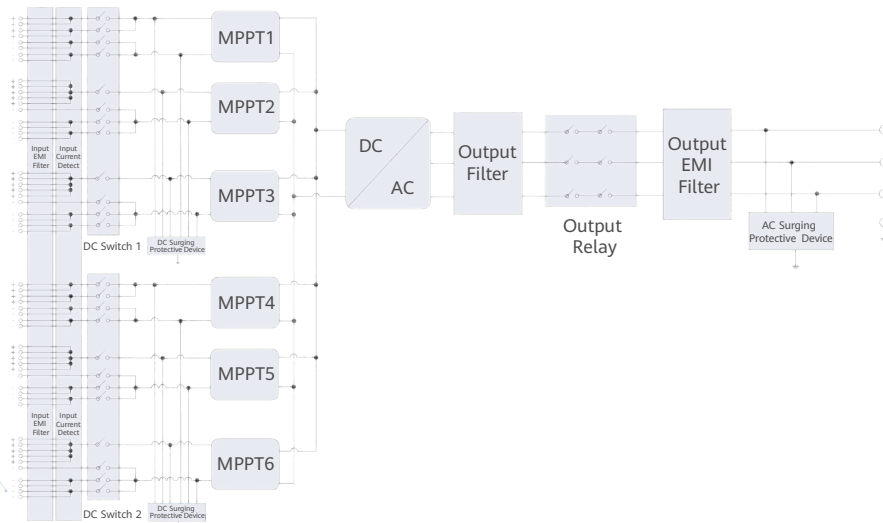


Surge Arresters for DC & AC

Efficiency Curve



Circuit Diagram



Technical Specifications

| Efficiency | |
|---|--|
| Max. Efficiency | > 99.03% |
| European Efficiency | > 98.8% |
| Input | |
| Max. Input Voltage | 1,500 V |
| Number of MPPT | 6 |
| Max. Current per MPPT | 65 A |
| Max. Short Circuit Current per MPPT | 115 A |
| Max. PV Inputs per MPPT | 4/5/5/4/5/5 |
| Start Voltage | 550 V |
| MPPT Operating Voltage Range | 500 V ~ 1,500 V |
| Nominal Input Voltage | 1,080 V |
| Output | |
| Nominal AC Active Power | 300,000 W |
| Max. AC Apparent Power | 330,000 VA |
| Max. AC Active Power ($\cos\phi=1$) | 330,000 W |
| Nominal Output Voltage | 800 V, 3W + PE |
| Rated AC Grid Frequency | 50 Hz / 60 Hz |
| Nominal Output Current | 216.6 A |
| Max. Output Current | 238.2 A |
| Adjustable Power Factor Range | 0.8 LG ... 0.8 LD |
| Total Harmonic Distortion | THD _i < 1% (Rated) |
| Protection | |
| Smart String-level Disconnection (SSLD) | Yes |
| Smart Connector-level Detection (SCLD) | Yes |
| AC Overcurrent Protection | Yes |
| DC Reverse-polarity Protection | Yes |
| PV-array String Fault Detection | Yes |
| DC Surge Arrester | Type II |
| AC Surge Arrester | Type II |
| DC Insulation Resistance Detection | Yes |
| Residual Current Detection Unit | Yes |
| Communication | |
| Display | LED Indicators, WLAN + APP |
| USB | Yes |
| MBUS | Yes |
| RS485 | Yes |
| General | |
| Dimensions (W x H x D) | 1,048 x 753 x 395 mm |
| Weight (with mounting plate) | ≤ 112 kg |
| Operating Temperature Range | -25°C ~ 60°C |
| Cooling Method | Smart Air Cooling |
| Max. Operating Altitude without Derating | 4,000 m |
| Relative Humidity | 0 ~ 100% (Non-condensing) |
| DC Connector | HH4SMM4TMSPA / HH4SFM4TMSPA |
| AC Connector | Support OT / DT Terminal (Max. 400 mm ²) |
| Protection Degree | IP 66 |
| Anti-corrosion Protection | C5-Medium |
| Topology | Transformerless |
| Standards Compliance | |
| IEC 62109-1/-2, IEC 62920, IEC 60947-2, EN 50549-2, IEC 61683, etc. | |